

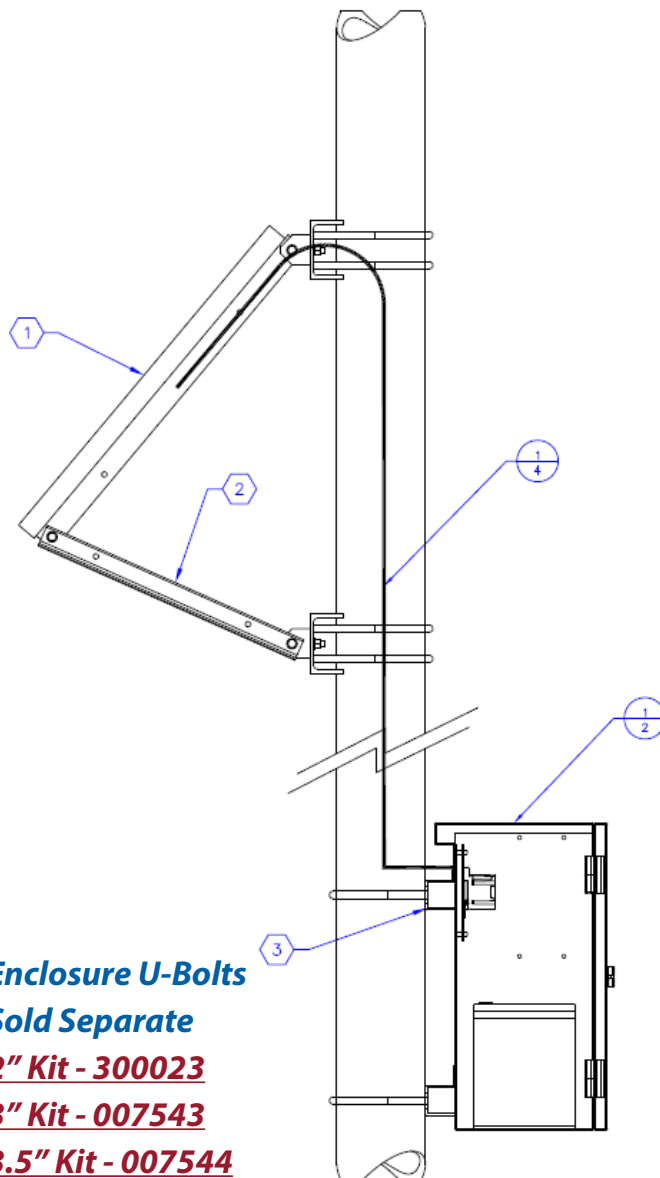
PR-110-12-120-FPWA-112X

110 Watt Array / 12-Volt / 120 Amp-hr

210315

SunWize Power & Battery has supplied this specific solar system for many years to support Itron CCU **OR** Repeater devices. This specific configuration was developed jointly with Itron and includes a specific solar charge controller, configuration, and terminals in order to connect the Itron gear easily in the field.

The following page contains design guidance on appropriate sun resources for powering either the CCU or Repeater devices, shown to the right. Itron equipment not included with this system.

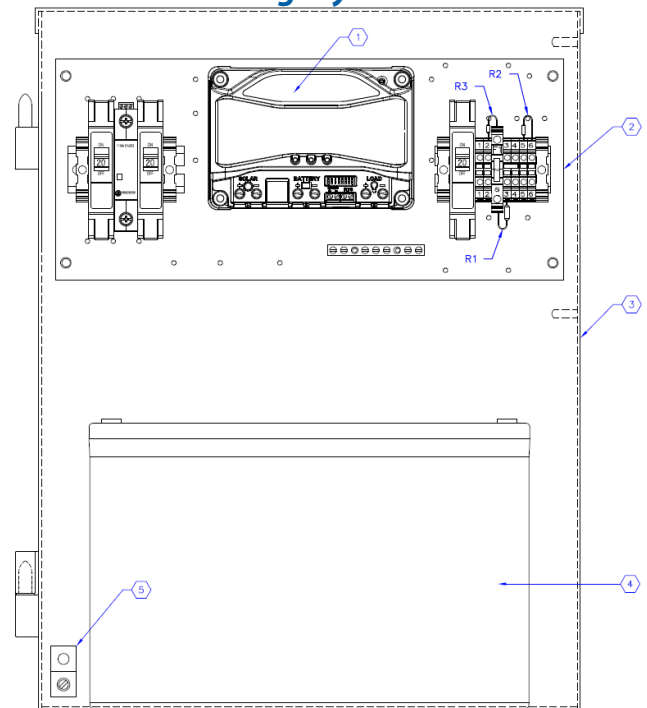


**Enclosure U-Bolts
Sold Separate**
2" Kit - 300023
3" Kit - 007543
3.5" Kit - 007544
4" Kit - 007545

SYSTEM FEATURES:

- 110W solar array on a side-of-pole mount
- NEMA 3R, white-powder-coated outdoor aluminum enclosure
- 12V deep cycle AGM battery, 120Ah
- Pre-wired solar control panel with circuit breakers for easy disconnects & maintenance
- 20 ft flex conduit output cable
- Installation manual and wiring diagram
- Factory QC testing performed on all systems
- Systems sized to IEEE 1562 specifications

Pole-Mounting Style Enclosure



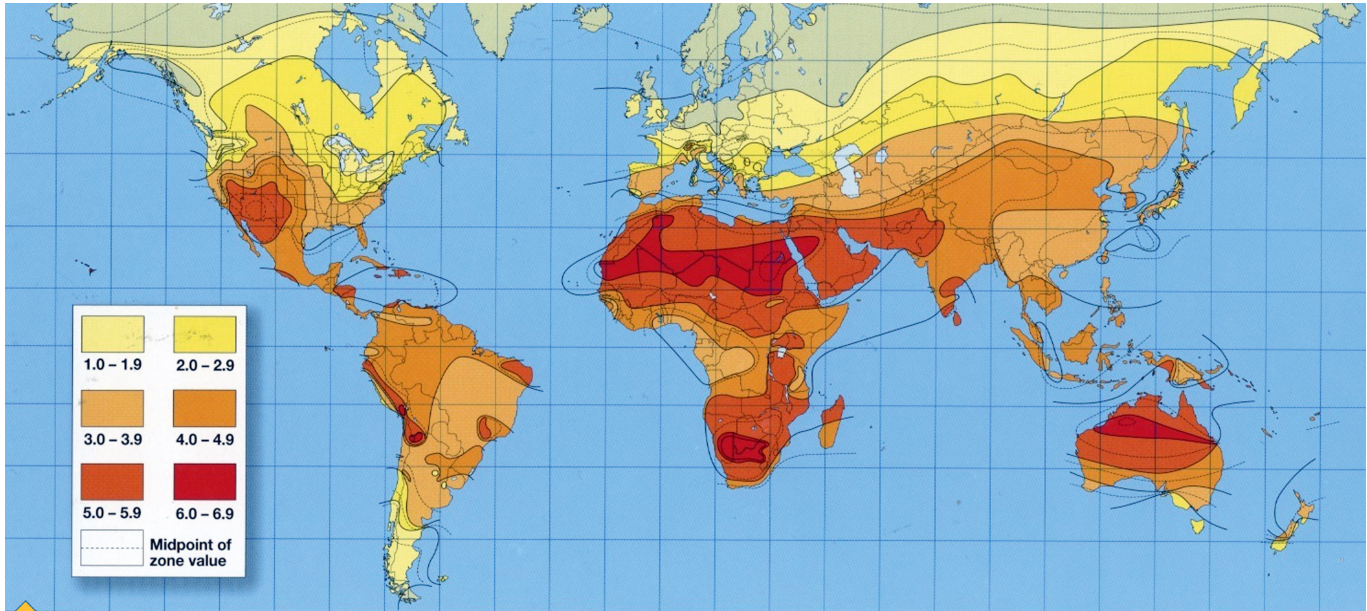
SHOP NOW



Headquarters
30893 Ehlen Dr Sw
Albany, OR 97321
(866) 827-6527



The world insolation map, showing the peak daily sun hours for the worst case month, is used to design a system for your equipment location. The PRE-110-12-120-FPWA-112X is built for reliable operation in the worst case weather conditions. Our systems are designed for a Loss of Load Probability (LOLP) of less than 0.1% for the worst month.



Use Solar Insolation Map to Find Monthly Peak Sun Hours

210315, PR-110-12-120-FPWA-112X 1.0 1.5 2.0 2.5 3.0 3.5 4.0 4.5 5.0 5.5 6.0

This system can be used to power Itron CCU or Repeater system (not both).

Itron CCU 7.5 watt load will work with SunWize system 210315 in areas with solar resource greater than 3.0.

Itron Repeater 5 watt load will work with SunWize system 210315 in areas with solar resource greater than 2.0.

Contact SunWize to size a system in area of lower solar resource.

Technical Specifications

12V

Solar Module **020191**

Model	SWPB 110W
Module Qty	1
Array Size	110W

Sealed Battery (AGM) **017172**

Model	UPG 45981
Battery Qty	1
Battery Bank Capacity	120Ah at C/100

Control Panel **010306**

Controller (PWM)	Morningstar PS-15
------------------	-------------------

Mount (Side-of-Pole) **240044** (requires assembly)

Rail Length	27.5"
Pole Size	2"-10"
Mount Windspeed	120MPH Exposure C, ASCE 7-16

Enclosure (NEMA3R) **004154**

Model	F1
Dimensions, Weight	20.8"H x 16"W x 9.4"D, 25lbs

General Features

Operating Temperature	-30°C to +50°C
VRLA Battery Life	Rated for 500 cycles at 50% DoD
Electrical Safety	NEC Compliant Circuit Protection



F1 Aluminum, powder coated, pole mounting

SHOP NOW