

Power-Fab/Direct Power and Water Corporation

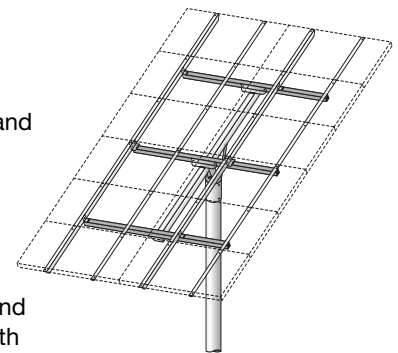
Power-Fab Mounting Structures

Power-Fab produces sensibly designed and rugged mounting structures, with a focus on strength and ease of installation. Refer to the Selection Guide for a partial listing of the various PV modules and quantities supported.

Top-of-Pole Mount - TPM

Top-of-Pole Mounts have six tilt-angle settings from 15° to 65° in 10° increments. The elevation adjustment is positive locking in each position eliminating the possibility of slippage. The racks are balanced about the pivot bolt to make elevation adjustments easy. Strongbacks, elevation pivots, and mounting sleeves are made of heavy gauge steel, mig-welded, and deburred. All steel is painted with two coats of black industrial urethane enamel. Solar module mounting rails are made of mill-finish 6061-T6 structural aluminum angle or channel.

Specify TPM Rack Model # = **TPM(PV Qty) - (PV Model)**

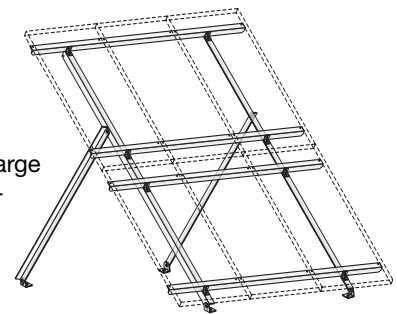


Top-of-Pole Mount

Roof/Ground Mounts - RGM

Roof/Ground Mounts are in mill aluminum. Both one-piece (OP) and telescoping-leg (TL) sets are available. Racks come with stainless steel module mounting hardware and Grade 5 zinc-plated rack assembly hardware. Standard mounting feet are made of steel and are hot-dip-galvanized after fabrication. Module rails and legs are made of mill-finish 6061-T6 structural aluminum angle. Some large racks are aluminum channel. Clear anodizing is available as an option. One piece leg (OP) has 3 Set-Points: 30°, 45°, 60°, telescoping leg (TL) with adjustable tilt range: 20° to 65°.

Specify TPM Rack Model # = **RGM(PV Qty) - (PV Model) - Tilt leg (OP or TL)**



Roof/Ground Mount

Two-Tier Roof/Ground - TTRGM

Same materials and tilt ranges as RGM. PV modules are racked in two rows with the module length vertical. TTRGMs use one set of tilt legs.

Specify TPM Rack Model # = **TTRGM(PV Qty) - (PV Model) - Tilt leg (OP or TL)**

Low Profile Roof/Ground - LPRGM

Same materials and tilt ranges as RGM, PV modules are racked side-by-side in one row with the module length vertical. Specify TPM Rack Model # = **LPRGM(PV Qty) - (PV Model) - Tilt leg (OP or TL)**

Available options: • Anodized aluminum • Tamper-resistant hardware • Powder coating

Selection Guide

* indicates item cannot ship UPS.

PV Module / Qty.	1	2	3	4	6	8	10	12
Kaneka G-SA060	1 - KA60	2 - KA60	3 - KA60	4 - KA60	6 - KA60	8 - KA60	10 - KA60	12 - KA60
Pipe Size Sch. 40	2	2	2.5	3	4	6	6	6
Mitsubishi 125	1 - MT125	2 - MT125	3 - MT125	4 - MT125	6 - MT125	8 - MT125	*10 - MT125	*12 - MT125
Pipe Size Sch. 40	2	2.5	3	4	4	6	6	6
Mitsubishi 170/180MF5	1 - MT180	2 - MT180	3 - MT180	4 - MT180	6 - MT180	8 - MT180	10 - MT180	12 - MT180
Pipe Size Sch. 40	2	3	4	4	6	6	8	8
Sanyo HIP-200BA3	1 - SY200	2 - SY200	3 - SY200	4 - SY200	6 - SY200	8 - SY200	*10 - SY200	*12 - SY200
Pipe Size Sch. 40	2	3	4	4	6	6	8	8
Sharp 80Watt	1 - SH80	2 - SH80	3 - SH80	4 - SH80	6 - SH80	8 - SH80	10 - SH80	12 - SH80
Pipe Size Sch. 40	2	2	2.5	3	4	4	6	6
Sharp 130Watt	1 - SH123	2 - SH123	3 - SH123	4 - SH123	6 - SH123	8 - SH123	*10 - SH123	*12 - SH123
Pipe Size Sch. 40	2	2.5	3	4	4	6	6	6
Sharp NT-170/175U1	1 - SH175	2 - SH175	3 - SH175	4 - SH175	6 - SH175	8 - SH175	*10 - SH175	*12 - SH175
Pipe Size Sch. 40	2	3	4	4	6	6	8	8
Sharp ND-224U1	1 - SH208	2 - SH208	3 - SH208	4 - SH208	6 - SH208	8 - SH208	10 - SH208	12 - SH208
Pipe Size Sch. 40	2	3	4	4	6	6	8	8
SunWize SW50A-60A	1 - SW60	2 - SW60	3 - SW60	4 - SW60	6 - SW60	8 - SW60	10 - SW60	12 - SW60
Pipe Size Sch. 40	2	2	2.5	3	4	4	6	6
SunWize SW75A-80A	1 - SW80	2 - SW80	3 - SW80	4 - SW80	6 - SW80	8 - SW80	10 - SW80	12 - SW80
Pipe Size Sch. 40	2	2	2.5	3	4	6	6	6
SunWize SW90C-100C	1 - SW100	2 - SW100	3 - SW100	4 - SW100	6 - SW100	8 - SW100	10 - SW100	*12 - SW100
Pipe Size Sch. 40	2	2.5	3	3	4	6	6	6
Yingli YL85	1 - YL85	2 - YL85	3 - YL85	4 - YL85	6 - YL85	8 - YL85	10 - YL85	12 - YL85
Pipe Size Sch. 40	2	2	2.5	3	4	4	6	6